



MV SKID

UTILITY SCALE SOLAR STATION



TURN-KEY SOLUTION



HIGH RELIABILITY



EASY TO INSTALL



OUTDOOR DURABILITY

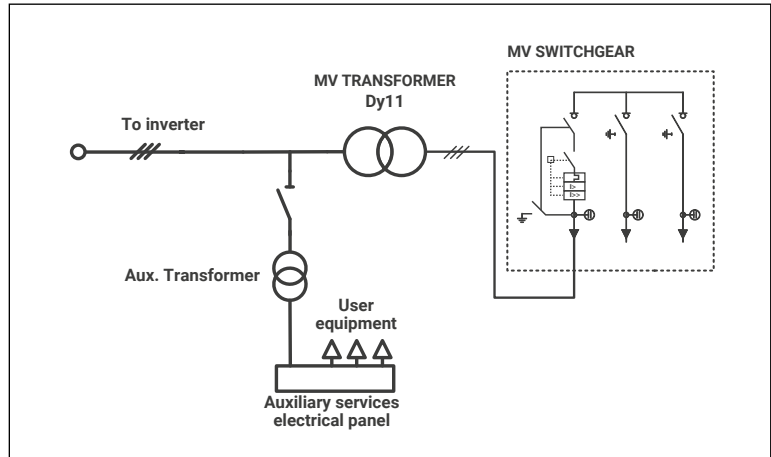
SIMPLIFY YOUR COMMISSIONING WITH THE MOST COMPETITIVE SOLUTION INTEGRATED WITH ALL THE MEDIUM VOLTAGE EQUIPMENT

The MV Skid is a compact turnkey outdoor platform made from high resistance galvanized steel with all the medium voltage equipment integrated, including an outdoor power transformer, MV switchgear, oil tank, filter and built in fast power connection to any HEMK solar inverter. With between 600 V - 690 V in the low voltage range and 12 kV to 36 kV in the high voltage range, this compact platform achieves power outputs between 2125 kVA and 3800 kVA.

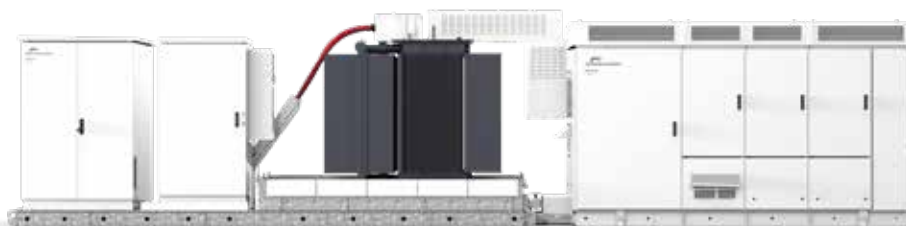
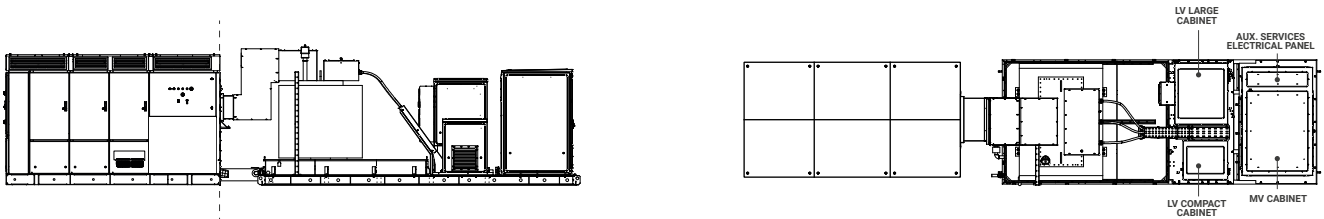
This compact solution also allows the installation of a low voltage cabinet that is fully configurable to the customer needs as well as different types of cells and even an enclosure fence among other options. The MV SKID simplifies the project design of the PV plant, reducing installation costs and the amount of resources needed. The benefits of the MV Skid and the fact that it is also easier to transport and deliver into remote sites makes it the optimal solution for EPC's (engineering, procurement and construction).

MODEL NUMBERS AND OPERATIONAL DIAGRAM

REFERENCE	RATED POWER @50°C (kVA)
MVS2125[]	2125
MVS2180[]	2180
MVS2235[]	2235
MVS2285[]	2285
MVS2340[]	2340
MVS2445[]	2445
MVS3190[]	3190
MVS3270[]	3270
MVS3350[]	3350
MVS3430[]	3430
MVS3510[]	3510
MVS3670[]	3670



SECTION



TECHNICAL CHARACTERISTICS

MV SKID

MEDIUM VOLTAGE EQUIPMENT	Rated power range @50°C	2125 kVA - 3670 kVA
	Rated power range @40°C	2200 kVA - 3800 kVA
	MV voltage range	6.6 kV / 11 kV / 13.2 kV / 15 kV / 20 kV / 22 kV / 23 kV / 25 kV / 30 kV / 33 kV / 34.5 kV
	LV voltage range	600 V / 615 V / 630 V / 645 V / 660 V / 690 V
	Type of tank	Hermetically oil-sealed
	Cooling	ONAN
	Vector group	Dy11
	Transformer protection	Protection relay for pressure, temperature (two levels) and gassing. Monitoring of dielectric level decrease. PT100 optional.
	Oil retention tank	Integrated with hydrocarbon filter
	Transformer index of protection	IP54
	Switchgear configuration	Double feeder (2L)
	Switchgear protection ^[1]	Automatic circuit breaker (V)
	CONNECTIONS	Inverter AC connection
LV protection		Circuit breaker included in the inverter
HV AC wiring		MV bridge between transformer and protection switchgear prewired
ENVIRONMENT	Ambient temperature ^[2]	-10°C...+50°C (T>50°C power derating)
	Maximum altitude (above sea level)	Customizable
	Relative humidity	4% to 95% non condensing
MECHANICAL CHARACTERISTICS	Skid dimensions (WxHxD) mm ^[3]	5780 x 2340 x 2240
	Skid weight with MV equipment ^[1]	< 11 Tn
	Oil retention tank material	Galvanized steel
	Skid material	Galvanized steel
	Cabinet type	Outdoor
	Anti-rodent protection	✓
AUXILIARY SERVICES ELECTRICAL PANEL	Auxiliary supply ^[1]	400 V (3-phase), 50/60 Hz
	User power supply available	5 kVA / 20 kVA / 40 kVA
	Cabinet type	Outdoor
	Cooling	Air
	Auxiliary supply protection	✓
	Communication ^[4]	Ethernet (fiber optic or RJ45)
OTHER EQUIPMENT	UPS system ^[5]	1 kW (30 minutes) - 20 kW (20 minutes)
	Safety mechanism	Interlocking system
	Safety perimeter	Transformer access protection fence
	Backfeed tracker supply	Optional
	Emergency lighting	1h autonomy
	Fire extinguishing system (transformer accessory)	Optional
	LV revenue grade meter	For inverter output / for customer auxiliary supply
	I/O interface	Digital I/O, analog I/O
STANDARDS	Compliance	IEC 62271-212, IEC 62271-200, IEC 60076, IEC 61439-1

[1] Depending on customer configuration.

[2] For lower temperatures, consult Power Electronics.

[3] 2515 mm high with the cover for the LV terminals.

[4] By demand.

[5] Optional. For additional information of available configurations, consult Power Electronics.